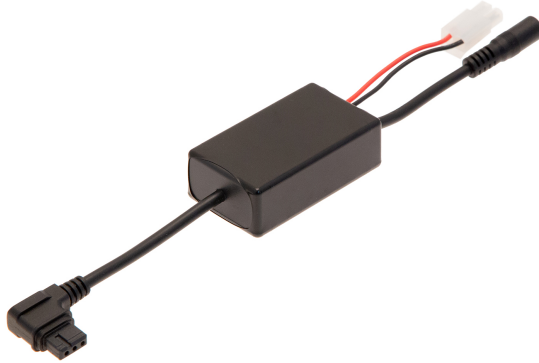




Camtraptions Flash Power Cable



Overview	2
Connections.....	3
Flash Connector.....	3
Tamiya Connector (6V Input)	3
DC5525 Connector (6V Output)	3
Product Compatibility.....	4
Safety.....	4
Support.....	4

Overview

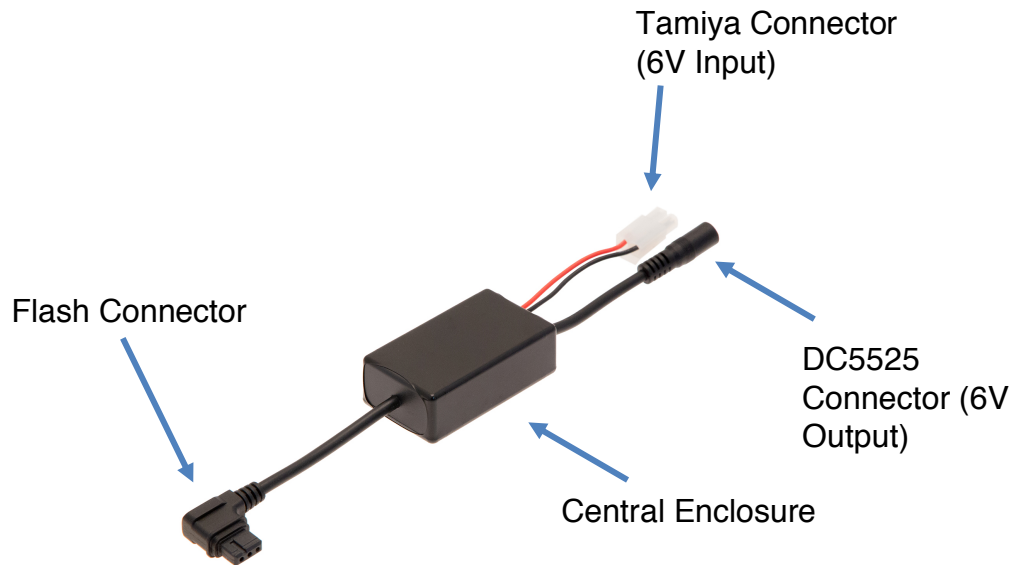
The Camtraptions Flash Power Cable has been designed to safely and efficiently deliver external power to a Camtraptions Camera Trap Flash.

External battery packs are capable of delivering higher amounts of electrical current than common AA-size batteries, and the Camtraptions Flash Power Cable regulates this current to the correct level required by the Camera Trap Flash.

The Flash Power Cable also contains an automatic cut-out system, which protects the flash unit in the event that too many high-power flash bursts are triggered in a short space of time. The cut-out system only reinstates power to the flash after a suitable time period has passed, giving the flash time to cool down before automatically resuming normal functionality again. This is particularly useful for reducing the likelihood of flashes burning out if a connection short-circuit or equipment malfunction leads to uncontrolled triggering of the camera.

The cut-out system will only operate if a high power setting is selected on the flash. When the flash is set to a low power setting then the cut-out system will not interrupt the power supply to the flash.

Connections



Flash Connector

The Flash Connector plugs into the socket on the side of the Camtraptions Camera Trap Flash, underneath the rubber cover.

Tamiya Connector (6V Input)

This Tamiya-type connector connects directly to a Camtraptions 6V Ni-MH Rechargeable Flash Battery.

DC5525 Connector (6V Output)

This socket supplies power to a Camtraptions Flash Wireless Receiver when used with the Wireless Trigger Voltage Regulator cable. This allows a single Camtraptions 6V battery to simultaneously provide power to both the Flash and its Wireless Receiver unit.

Product Compatibility

The Flash Power Cable is only compatible with the Camtraptions Camera Trap Flash and it cannot provide external power to other brands of speedlight flash.

Only external batteries supplied by Camtraptions are recommended for use with the Flash Power Cable and Camera Trap Flash. Connecting an external battery or other form of external power supply that has not been approved by Camtraptions will void the warranty of the cable and the flash, and Camtraptions is not responsible for any damage that may be caused as a result.

Safety

- Any AA batteries inside the Camtraptions Camera Trap Flash must be removed before connecting an external power source with the Flash Power Cable.
- The black wrap surrounding the Central Enclosure must not be pierced or cut. If this wrap becomes damaged then please contact Camtraptions for support.
- The Central Enclosure should not be opened. Opening this enclosure could permanently compromise the ability of the cable to regulate heat and operate effectively.
- If many high-power flash bursts are triggered in a short space of time then the Central Enclosure will heat up. In this case, do not touch the Central Enclosure directly until it has cooled down.

Support

For technical support, please email support@camtraptions.com.